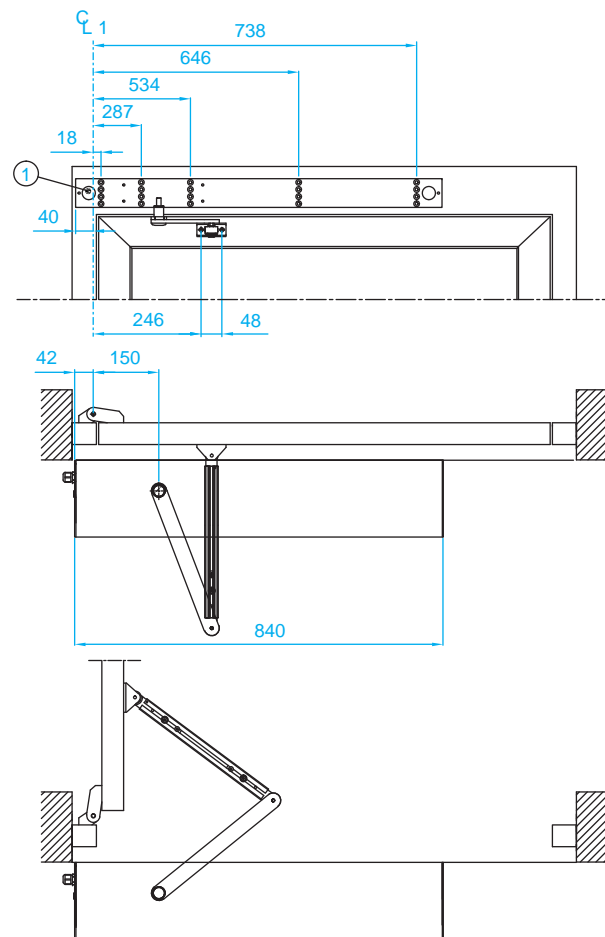


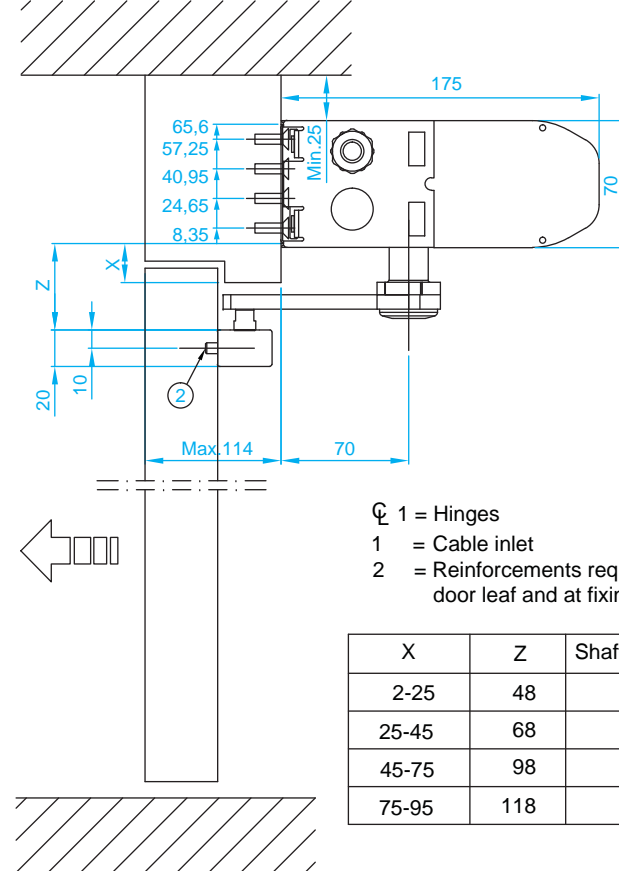
- C 1 = Hinges
- A = Reveal max. 367
- 1 = Cable inlet
- 2 = Reinforcements required in door leaf and at fixing holes

X	Y	Shaft extension
2-25	51	0
25-45	71	20
45-75	101	50
75-95	121	70



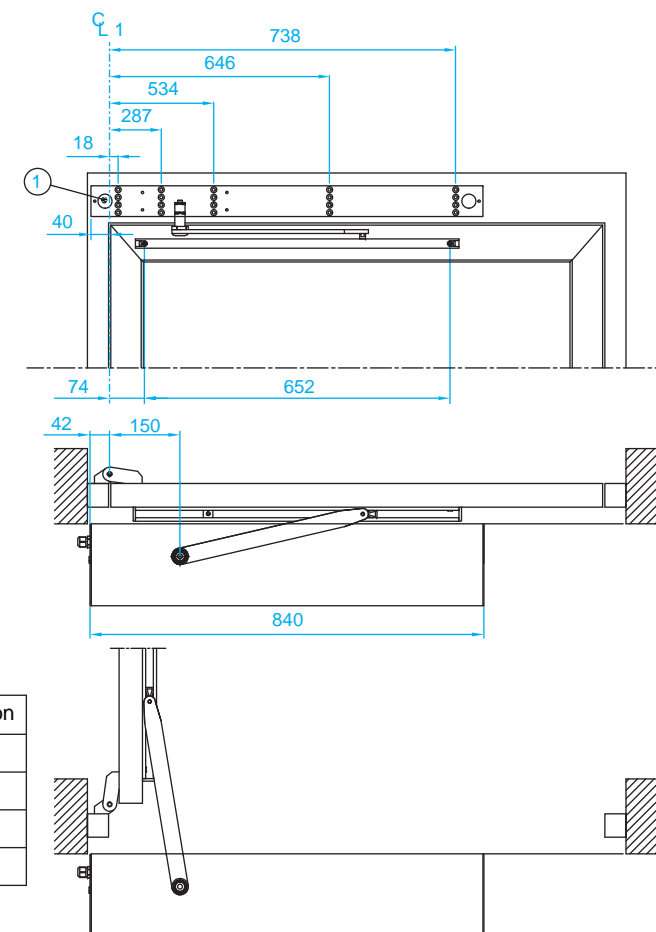
- C 1 = Hinges
- 1 = Cable inlet
- 2 = Reinforcements required in door leaf and at fixing holes

X	Z	Shaft extension
2-25	48	0
25-45	68	20
45-75	98	50
75-95	118	70



- C 1 = Hinges
- 1 = Cable inlet
- 2 = Reinforcements required in door leaf and at fixing holes

X	Z	Shaft extension
2-25	48	0
25-45	68	20
45-75	98	50
75-95	118	70



- C 1 = Hinges
- A = Reveal -20mm to 130mm
- 1 = Cable inlet
- 2 = Reinforcements required in door leaf and at fixing holes

Z	Shaft extension
48	0
68	20
98	50
118	70